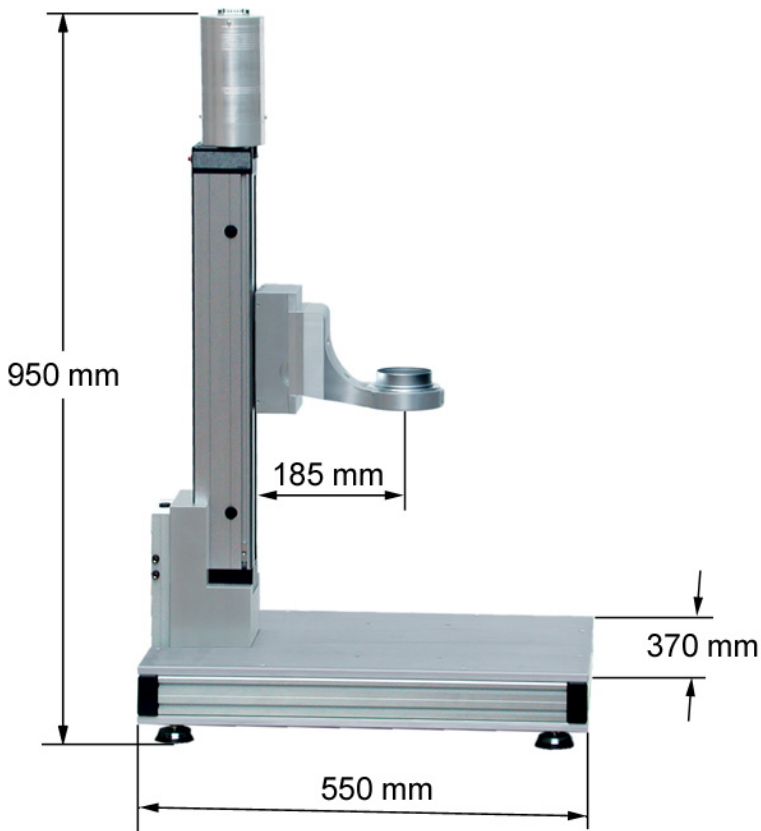


Motorized Stand for Jumbo Systems



Weight: 20 Kg

Input: 100-240V / 47-63Hz

Output: 12V-5A / 24V-3A